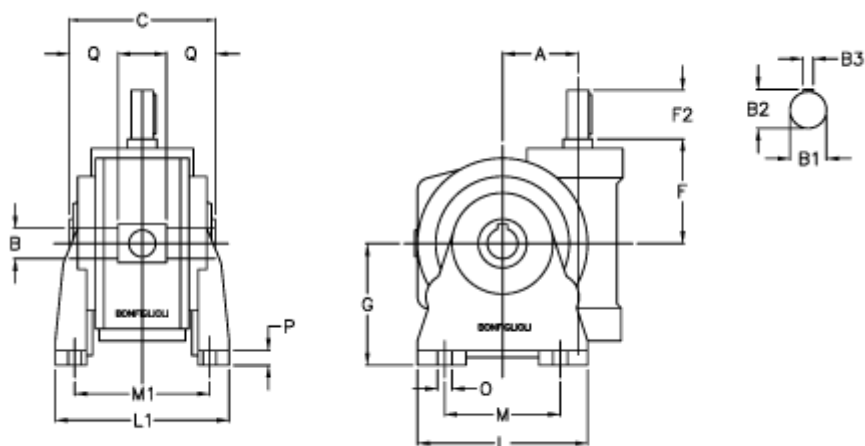


Article number: 3901150020300

Description: Worm gear with solid input shaft  
VF 150V-20-HS

## Measures



a	= 150.0	F2 = 65	Q = 55.0
B	= 50	g = 220	
B1	= 35	L = 330	
B2	= 38.0	L1 = 260	
B3	= 10	m = 240	
C	= 175	M1 = 211.0	
Description	= VF 150V-xx-HS	O = 18.0	
F	= 185.0	P = 20	